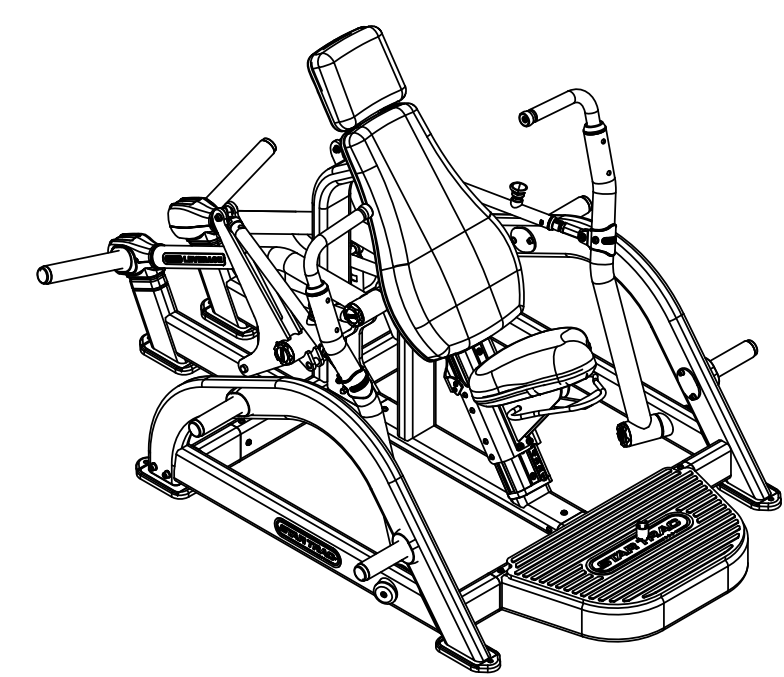
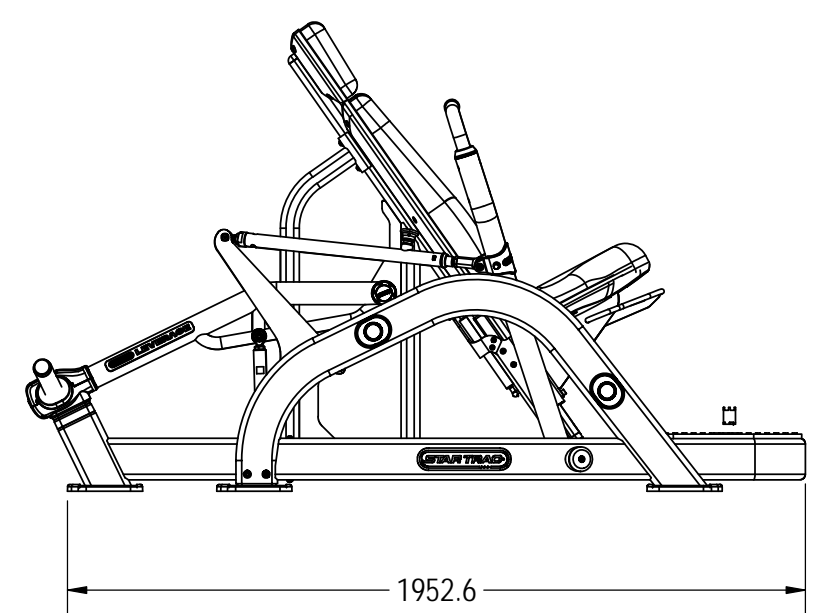
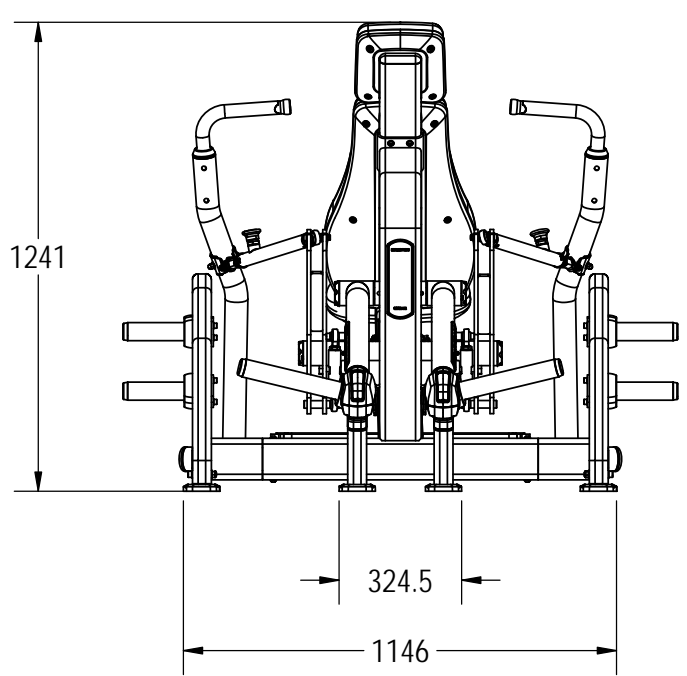
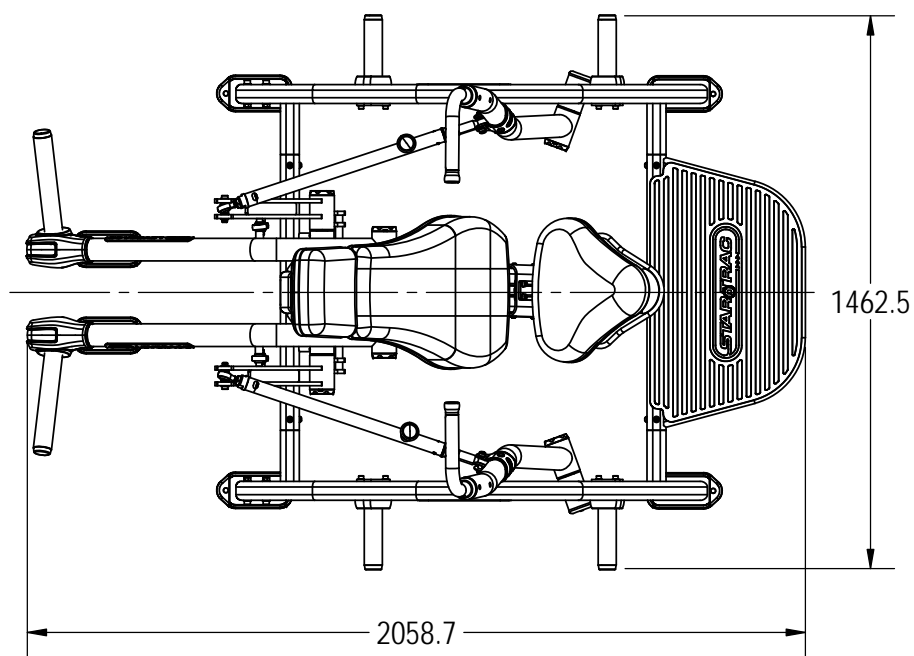


NOTES:

1. ASSEMBLE AND INSPECT PER SOP 620-7918.
2. COLOR DICTATED BY THE SALES ORDER.
 - a. COLOR: -XX COLOR DESIGNATOR AS SPECIFIED IN SOP 620-8222.
 - b. THE -XX CAN RESULT IN ONE COLOR FOR THE METAL SHROUD AND A DIFFERENT COLOR FOR THE METAL FRAME ALSO WITH A -XX LISTED ON THE BOM.
 - c. THE -00XX IS THE COLOR DESIGNATOR FOR UPHOLSTERY.
 - d. THE 5TH DESIGNATOR: "X" WITHIN -XXXXX DEFINES THE HEAD STRAP OR CUSTOM PRODUCTS BRAND. THIS IS SPECIFIED ON SALES ORDERS.
 - e. THE -XXXXX IS CREATED BY COMBINING THE -XX, -00XX AND THE 5TH DESIGNATOR. ALL X'S SHOULD BE DEFINED ON THE SALES ORDER.

REVISION HISTORY				
REV	DATE	DESCRIPTION	ECO	BY
--	11/1/11	RELEASED @ LAND AMERCA		LA
A	5/24/2012	DRAWINGS RELEASED FOR PRODUCTION	13739	KEY
B	2/28/2014	MAKE ASSEMBLY TO MATCH LA PRODUCTION, MAKE ALL WEIGHT HORNS ONE PIECE CHROME PLATED ADD PARTS: 731-6095-XX, 731-6093-XX, 731-6091-XX, 731-6090-XX, 731-6089, 731-6088, 731-5960, 731-5806, 731-5777, 731-5727, 731-5272, 731-5259, 731-5256, 731-3958, 731-1462, 731-1448 UPDATE PARTS: 731-3443-XX, 731-3440-XX, 731-3431-XX	14557	RLH
C	10/10/2014	ADDED 731-6104, 731-6107, 110-3624, 731-6430, 731-7111, 731-0582 REMOVED, 731-2578	14765	KY



DOCUMENT STATUS:

NOTICE OF PROPRIETARY INFORMATION
THIS DOCUMENT SHALL NOT BE REPRODUCED NOR SHALL THE INFORMATION CONTAINED HEREIN BE USED BY OR DISCLOSED TO OTHER EXCEPT AS EXPRESSLY AUTHORIZED BY CORE HEALTH & FITNESS, LLC.

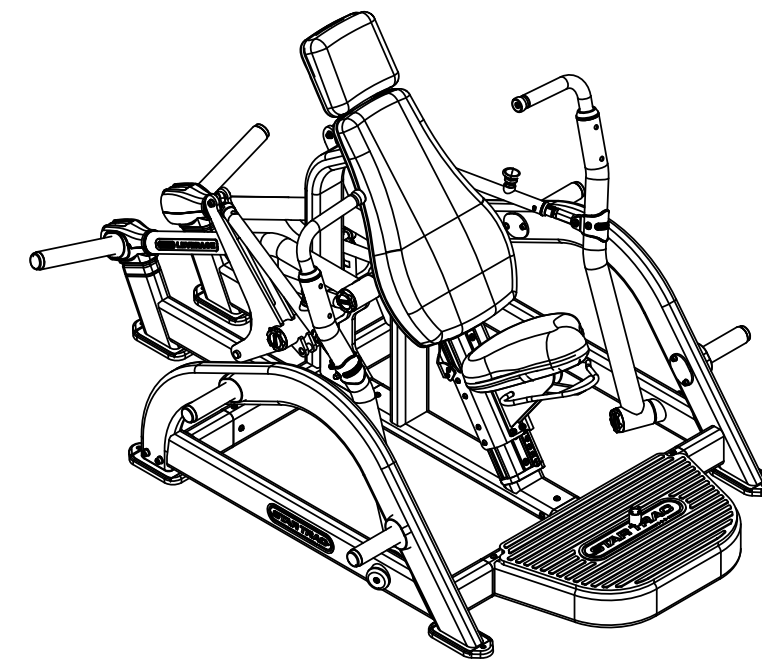
CLASS OF WORK	UNLESS OTHERWISE SPECIFIED DIMS ARE IN mm. TOLERANCES FOR MEASURE OF LENGTH ARE:								ANGLES = ±2°
	0.5 to 3	> 3 to 6	> 6 to 30	> 30 to 120	> 120 to 400	> 400 to 1000	> 1000 to 2000	> 2000	
FINE	±0.05	±0.05	±0.1	±0.15	±0.2	±0.3	±0.5	----	
MEDIUM X	±0.1	±0.1	±0.2	±0.3	±0.5	±0.8	±1.2	±2	
COARSE	±0.2	±0.3	±0.5	±0.8	±1.2	±2	±3	±4	
VERY COARSE	----	±0.5	±1	±1.5	±2.5	±4	±6	±8	

MATERIAL SEE BOM	THIRD ANGLE PROJECTION 	
FINISH SEE NOTES	DRAWN INITIAL: RLH	DATE 2/28/14
VENDOR: N/A	P/N: N/A	

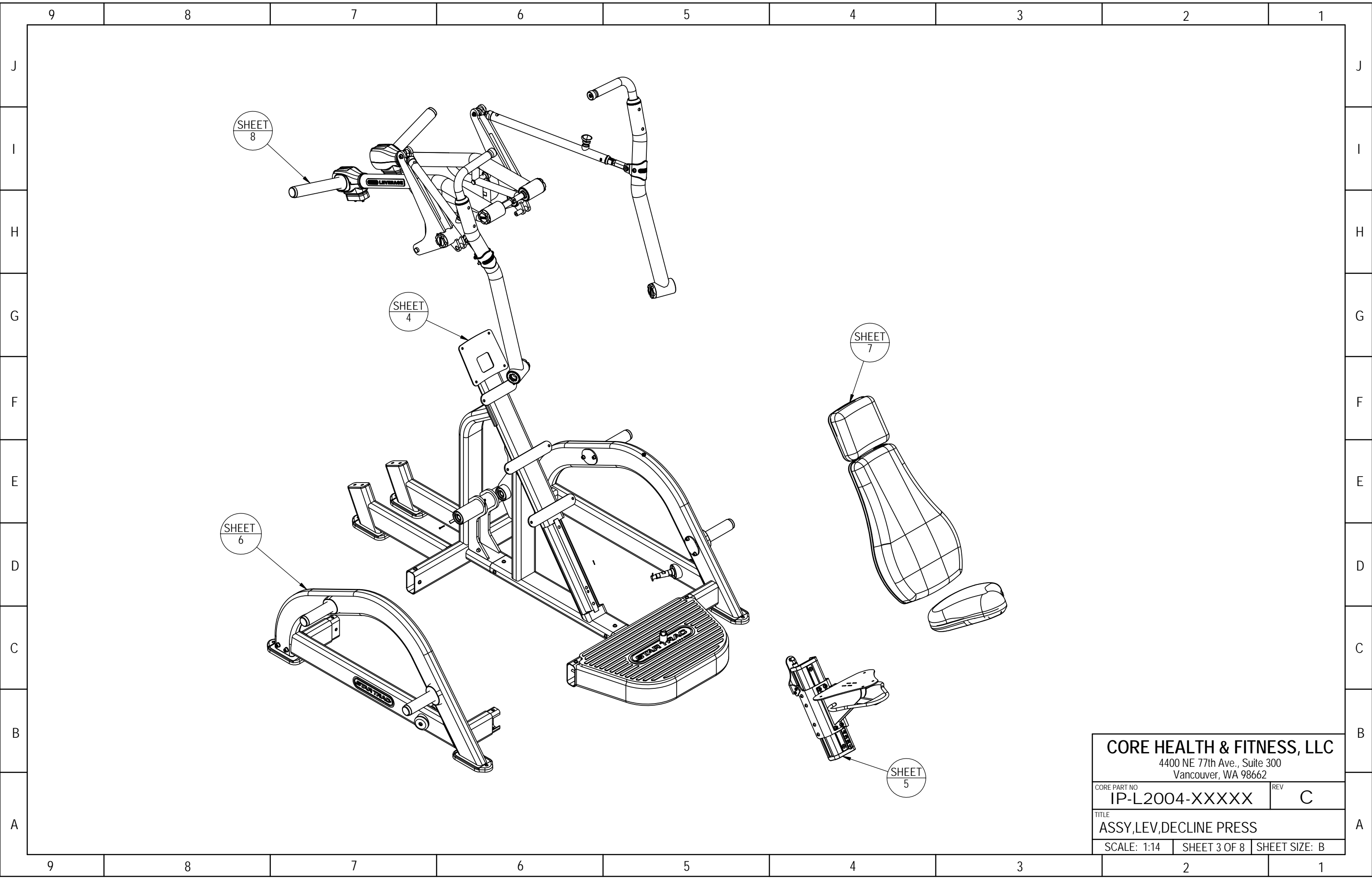
CORE HEALTH & FITNESS, LLC 4400 NE 77th Ave., Suite 300 Vancouver, WA 98662		
CORE PART NO. IP-L2004-XXXXX	REV C	TITLE ASSY,LEV,DECLINE PRESS
SCALE: 1:20	SHEET 1 OF 8	SHEET SIZE: B

Grid coordinates: 9, 8, 7, 6, 5, 4, 3, 2, 1 (horizontal); J, I, H, G, F, E, D, C, B, A (vertical)

9		8		7		6		5		4		3		2		1			
ITEM NO.	PART NUMBER	DESCRIPTION		QTY.	ITEM NO.	PART NUMBER	DESCRIPTION		QTY.										
J	Ⓢ	1	110-3402	SCREW, #8-18, 3/4", HI-LOW, PHT, PH, CS, BO		6	53	731-2575	ASSEMBLY, FOOT PAD, LEVERAGE		1							J	
	Ⓢ	2	110-3624	NUT, M24, NKL		2	54	731-2580	M10 X 65MM HSHCS		4								
		3	718-5249	SCREW, M8 X 1.25mm, 55mm, BHC, HK, NP		2	55	731-2590	END CAP, BEARING, SEAL,		6								
		4	731-0022-00XX	ASSY, UPHOLSTERY, HEAD REST		1	56	731-2591	O-RING 30X3.55-A		6								
		5	731-0033	NUT, RIVET, M8 X 1.25		8	57	731-2592	SEAL, HOUSING		6								
I		6	731-0076	PULL PIN, SEAT ADJ		1	58	731-2595	TAPPER ROLLER BEARING, 30304 GB 297-94		6							I	
		7	731-0077	LINKAGE, PULL PIN, SEAT ADJ		2	59	731-2596	O-RING, BEARING CAP SEAL		6								
		8	731-0097-00XX	ASSY, SEAT BOTTOM, STD		1	60	731-2606	DIE CAST END CAP, L2		2								
		9	731-0209	CAP, END, 110 X 50		1	61	731-2607	WEDGE, END CAP,		2								
		10	731-0350	Screw, M10X1.5, 25mm, SHC, HK		4	62	731-2608	BOLT, M8X70mm HSHCS		2								
		11	731-0352	SCREW, M6X0.8, 10MM, BHC, HK		4	63	731-2609	BASE, HANDLE GRIP, ARMS, L2		2								
H		12	731-0355	WASHER, PLAIN, M8, NARROW		51	64	731-2610	PLATE, BENT, PIVOT RING		2							H	
		13	731-0359	SCREW, M8 X 1.25, 25mm, BHC, HK		26	65	731-2622	BAR, BUSHING, MISS-ALIGNMENT		6								
		14	731-0363	NUT, M10X1.5, NYLOC		4	66	731-2623	SHOULDER BOLT B18.3m-10X50 SHSS		2								
		15	731-0364	SCREW, M8X1.25, 45mm, BHC, HK		1	67	731-2624	SHOULDER BOLT B18.3M-10X40 SHCC		2								
		16	731-0365	NUT, M8 X 1.25, NYLOC JAM		13	68	731-2639	TRIM RING		2								
		17	731-0367	WASHER, PLAIN, M10		20	69	731-2640	WELD, FOOT, MAX RACK, RH		2								
G		18	731-0368	SCREW, M8 X 1.25, 40mm, BHC, HK		8	70	731-2647	FOOT, LONG, LEVERAGE		6							G	
		19	731-0373	WASHER, PLAIN, M6		4	71	731-2648-00XX	ASSY, BACK REST, STD, ONE COLOR		1								
		20	731-0382	ROLL PIN, M6 X 20mm		1	72	731-2649	LABEL, STAR TRAC, DECO, LARGE		2								
		21	731-0383	Cover, Head Rest		1	73	731-2657-XX	WELDMENT, SHOULDER, FOOT REST		1								
		22	731-0385	SHROUD, SEAT BOTTOM		1	74	731-2755	LEVERAGE LOGO		2								
		23	731-0397	SCREW, M8 X 1.25, 25mm, FHM, HK		3	75	731-2756	DBL STICK TAPE, LEVERAGE, LOGO		2								
F		24	731-0421	SCREW, M8 X 1.25, 30MM, SHC, HK, CS		17	76	731-2762	RUBBER BUMPER		2							F	
		25	731-0510	STICKER, SEAT ADJ, 1-9		1	77	731-2856	PLASTIC WEIGHT HORN COVER TRIM INSERT		2								
		26	731-0550-01	COVER, SEAT BACK, STD., LEFT		1	78	731-2857	PLASTIC WEIGHT HORN COVER TOP		1								
		27	731-0550-02	COVER, SEAT BACK, STD, RIGHT		1	79	731-2858	PLASTIC WEIGHT HORN COVER BOTTOM		1								
		28	731-0555-XX	WELD, MOUNT, TROLLEY, SEAT		1	88	731-2866	PLASTIC, WEIGHT HORN COVER, TOP		1								
E		29	731-0557	SPACER, WHEEL, TROLLEY		8	81	731-2867	PLASTIC, WEIGHT HORN COVER BOTTOM		1							E	
		30	731-0560	ASSY, WHEEL, 41M DIA, TROLLEY		8	82	731-3420-XX	LEVERAGE, MID FRAME, DECLINE		1								
		31	731-0561	WASHER, M8, 1MM THK		14	83	731-3431-XX	WELDMENT, L2 STOP, DECLINE		1								
		32	731-0562	NUT, M8 X 1.25, NYLOC		8	84	731-3440-XX	WELDMENT, ARM, RIGHT, INCLINE		1								
		33	731-0564	EXTRUSION, TROLLEY, SEAT		1	85	731-3443-XX	WELDMENT, ARM, LEFT, DECLINE		1								
		34	731-0565	SCREW, M4X22, FHT, PH, AS, ZP		8	86	731-3446	DECLINE ROM STRAIGHT ASSY		2								
D		35	731-0566	CAP, EXTRUSION, SEAT, TOP		2	87	731-3449-001	PLACARD, DECLINE, LEVERAGE 2		1							D	
		36	731-0567	BAR, ADJ, SEAT		1	88	731-3858	ASSY, LINK SHORT, 180MM		2								
		37	731-0570	SCREW, M8 X 1.25, 16mm, SHC, HK		4	89	731-3958	LEVERAGE NUT TOOL		1								
		38	731-0574-XX	MOUNT, SHOCK, SEAT		1	90	731-5256	WELD, WEIGHT HORN, SINGLE		4								
		39	731-0577	ASSY, SHOCK, SEAT SLED, 30LBS		1	91	731-5259	BUMPER, STOP, WGT		6								
C	Ⓢ	40	731-0582	SETSCREW, M8 X 1.25, 10mm, CUP		4	92	731-5272	CAP, PLUG, WEIGHT HORN, BLANK		6							C	
		41	731-0601	SPRING, EXTENSION, 2.0", 21 LBS		1	93	731-5727	RIVET NUT, HEX HEAD, M8		3								
		42	731-0672-XX	WELD, SEAT REST, MOUNT -5DEG		1	94	731-5806	WASHER, M8, HAT		4								
		43	731-0674	ASSY, HANDLE, SEAT ADJ -5DEG		1	95	731-6088	WELD, BELL CRANK, RIGHT, DECLINE		1								
		44	731-0842	ASSY, BRG, TAPER, 30205		6	96	731-6089	WELD, BELL CRANK, LEFT, DECLINE		1								
		45	731-1030	PIN, SPLIT, 2MM X 12		1	97	731-6090-XX	WELD, WEIGHT STORAGE, RIGHT, DECLINE		1								
		46	731-1265	CAP, END, 65MM, NO GROOVE		2	98	731-6091-XX	WELD, WEIGHT STORAGE, LEFT, DECLINE		1								
B		47	731-1448	NUT, M8x1.25, ACORN		2	99	731-6093-XX	WELD, WEIGHT ARM, DECLINE, LEFT		1							B	
		48	731-1450	SCREW, M8 X 1.25, 75mm, SHC, HK, AS, ZP		8	100	731-6095-XX	WELD, WEIGHT ARM, DECLINE, RIGHT		1								
		49	731-1456-01	PLATE, MOUNT, WGT HOLDER, BLANK		4	Ⓢ	101	731-6104	Slotted Hex Nut, Low, M16X1.5mm		6							
		50	731-1462	SCREW, M8 X 1.25, 80mm, BHC, HK, AS, NKL		2	Ⓢ	102	731-6107	PIN, COTTER, 3.2mm DIA x 32mm LONG		6							
		51	731-1713	PIN, CLEVIS, M6 X 22, 15.9UL		1	Ⓢ	103	731-6430	BAR, PIVOT AXLE, L2		6							
A		52	731-2416	STICKER, STARTRAC, 70MM, DECO		2	Ⓢ	104	731-7111	WASHER, M16, 30mm OD, 1mm THK		6							A



CORE HEALTH & FITNESS, LLC		
4400 NE 77th Ave., Suite 300 Vancouver, WA 98662		
CORE PART NO	REV	
IP-L2004-XXXXX	C	
TITLE		
ASSY, LEV, DECLINE PRESS		
SCALE: 1:20	SHEET 2 OF 8	SHEET SIZE: B

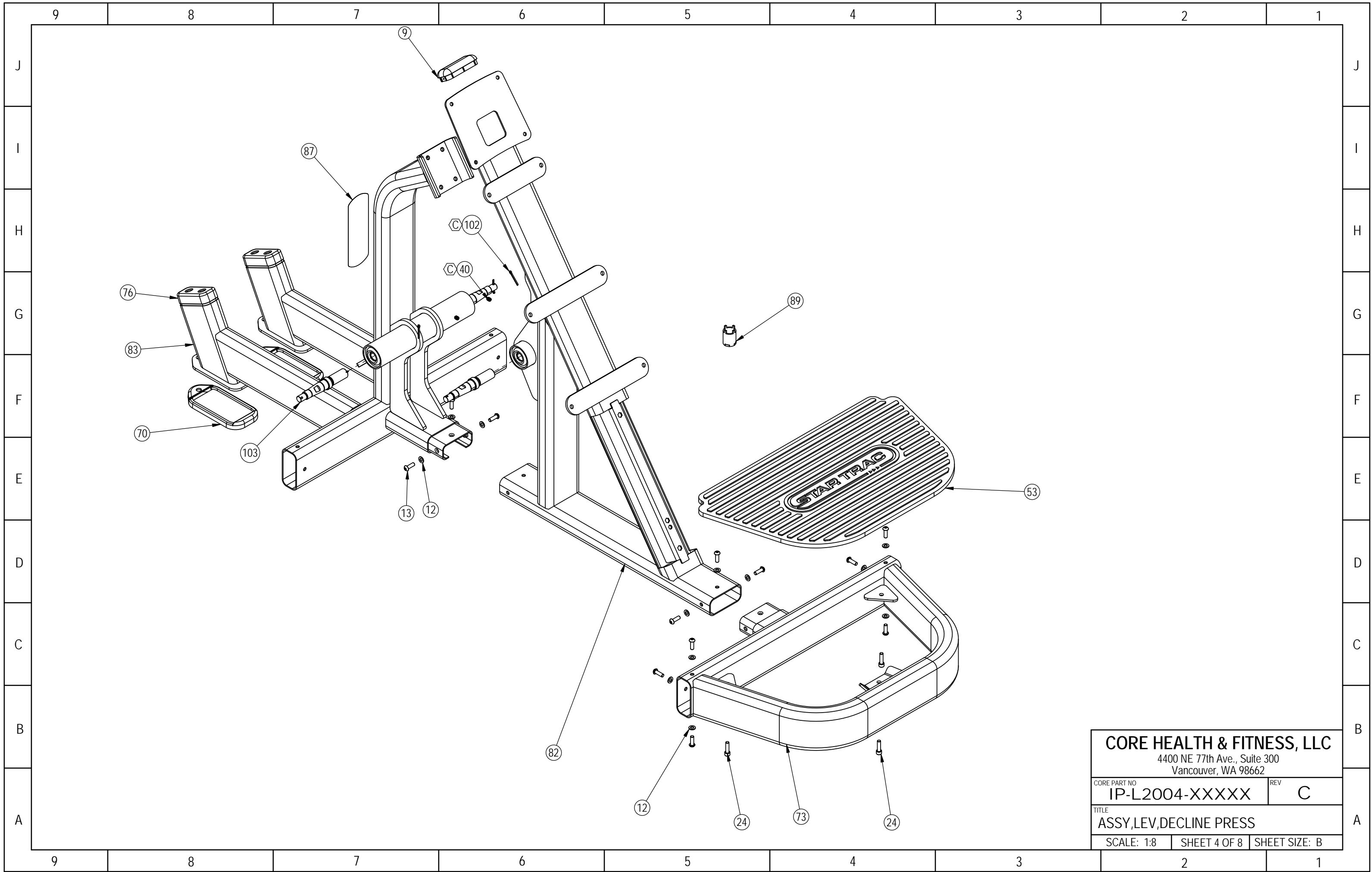


CORE HEALTH & FITNESS, LLC
 4400 NE 77th Ave., Suite 300
 Vancouver, WA 98662

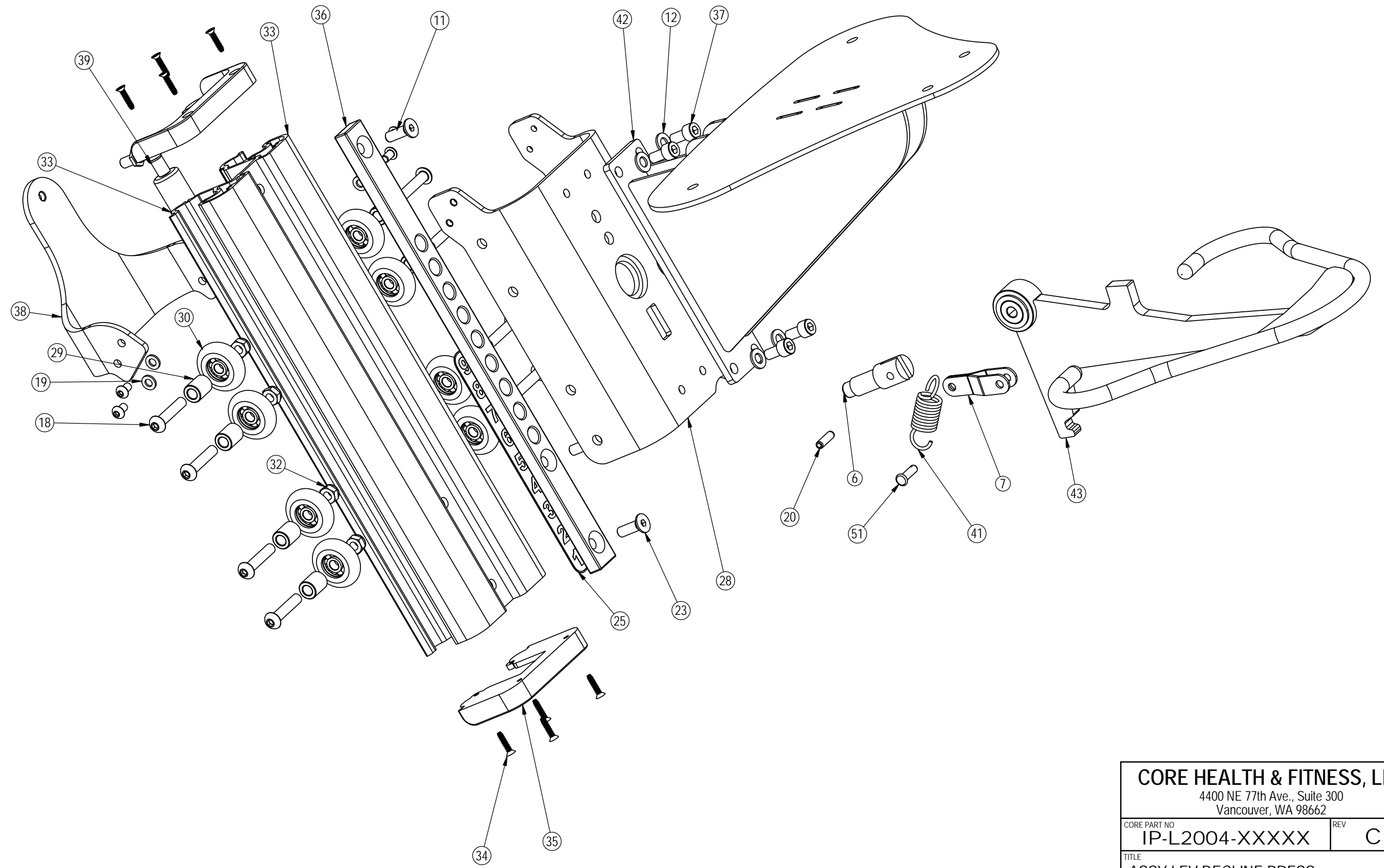
CORE PART NO	REV
IP-L2004-XXXXX	C

TITLE
 ASSY,LEV,DECLINE PRESS

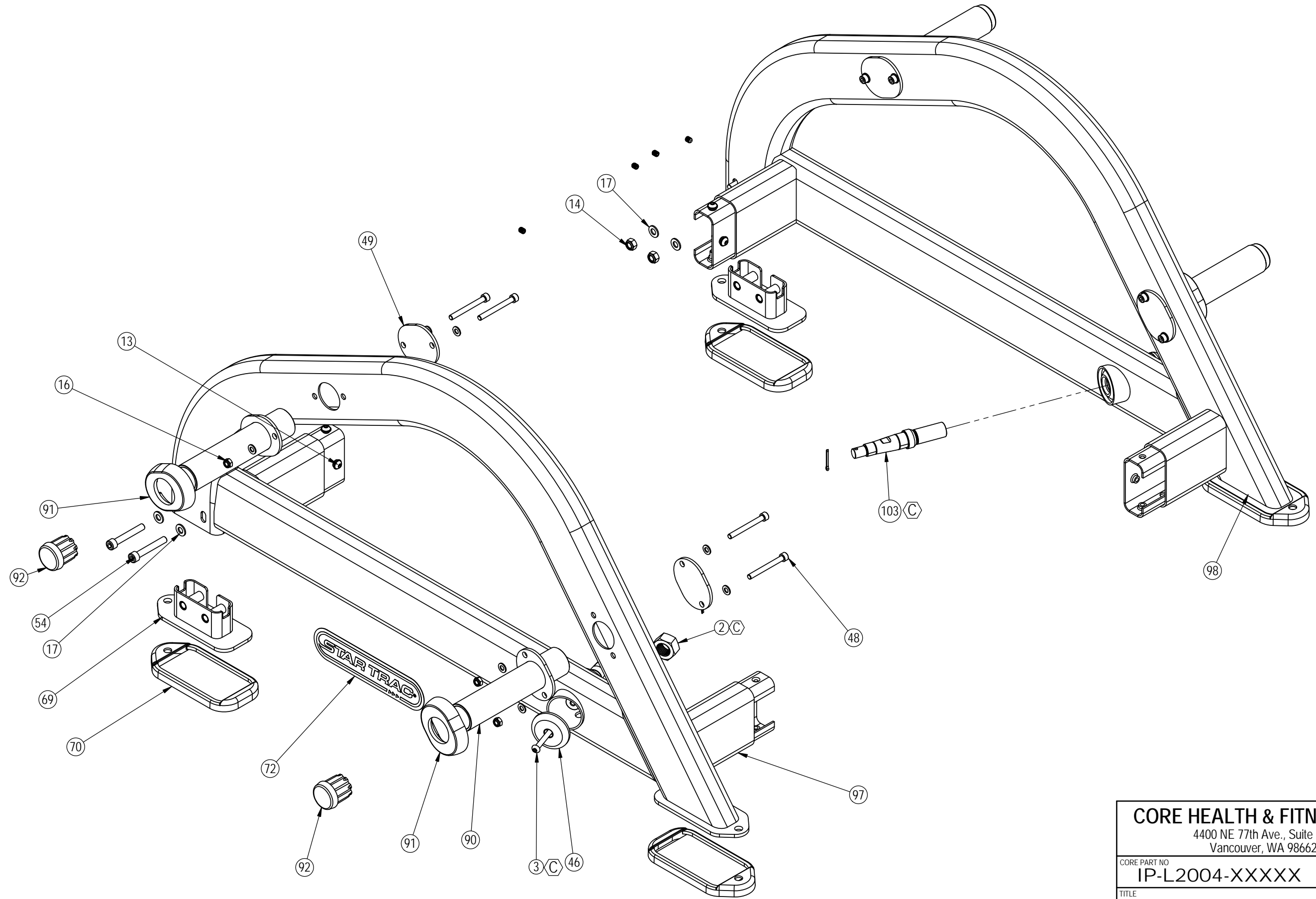
SCALE: 1:14	SHEET 3 OF 8	SHEET SIZE: B
-------------	--------------	---------------



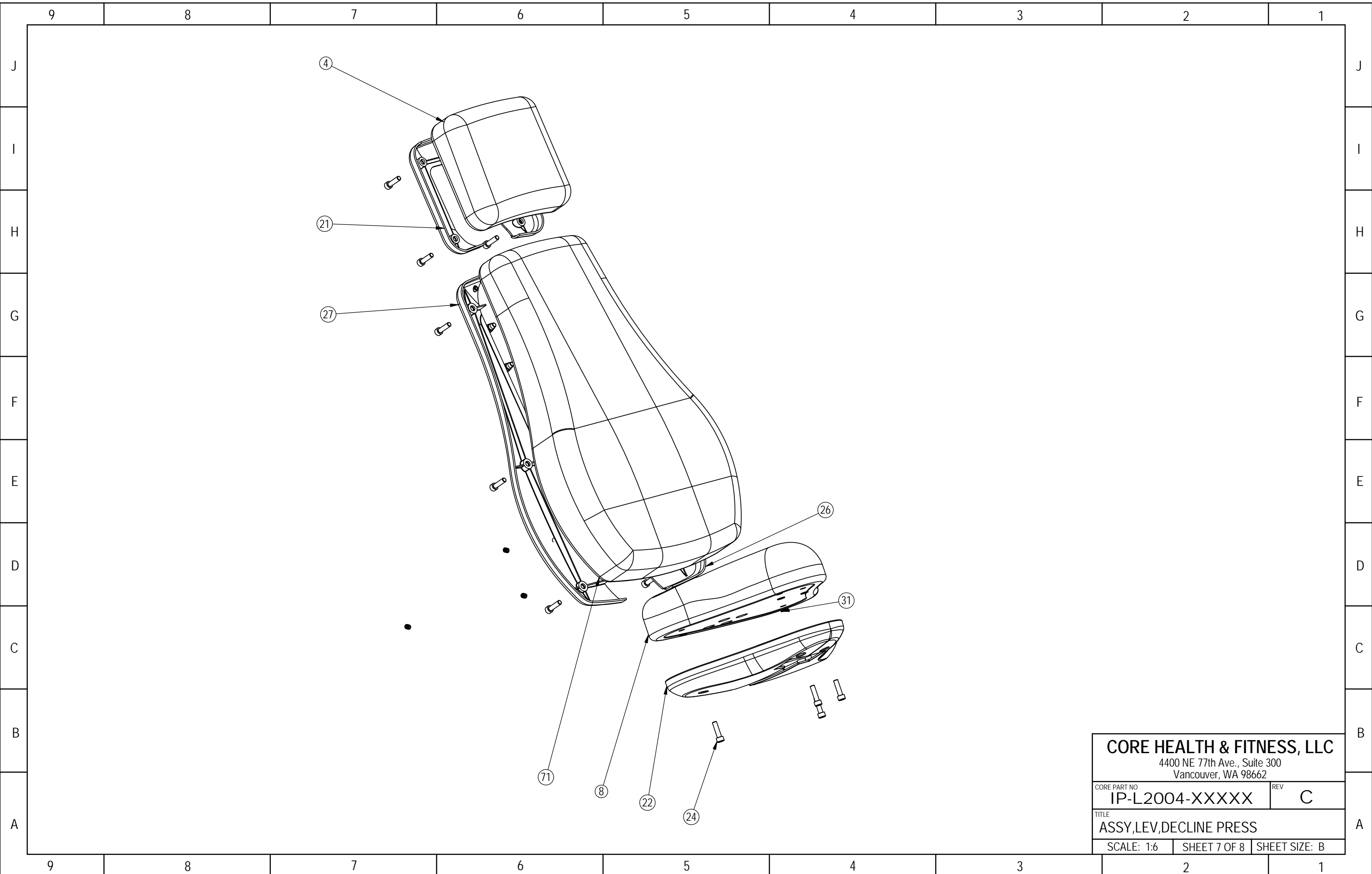
CORE HEALTH & FITNESS, LLC		
4400 NE 77th Ave., Suite 300 Vancouver, WA 98662		
CORE PART NO	REV	
IP-L2004-XXXXX	C	
TITLE		
ASSY,LEV,DECLINE PRESS		
SCALE: 1:8	SHEET 4 OF 8	SHEET SIZE: B



CORE HEALTH & FITNESS, LLC		
4400 NE 77th Ave., Suite 300 Vancouver, WA 98662		
CORE PART NO	REV	
IP-L2004-XXXXX	C	
TITLE		
ASSY,LEV,DECLINE PRESS		
SCALE: 1:3	SHEET 5 OF 8	SHEET SIZE: B



CORE HEALTH & FITNESS, LLC		
4400 NE 77th Ave., Suite 300 Vancouver, WA 98662		
CORE PART NO	REV	
IP-L2004-XXXXX	C	
TITLE		
ASSY,LEV,DECLINE PRESS		
SCALE: 1:6	SHEET 6 OF 8	SHEET SIZE: B

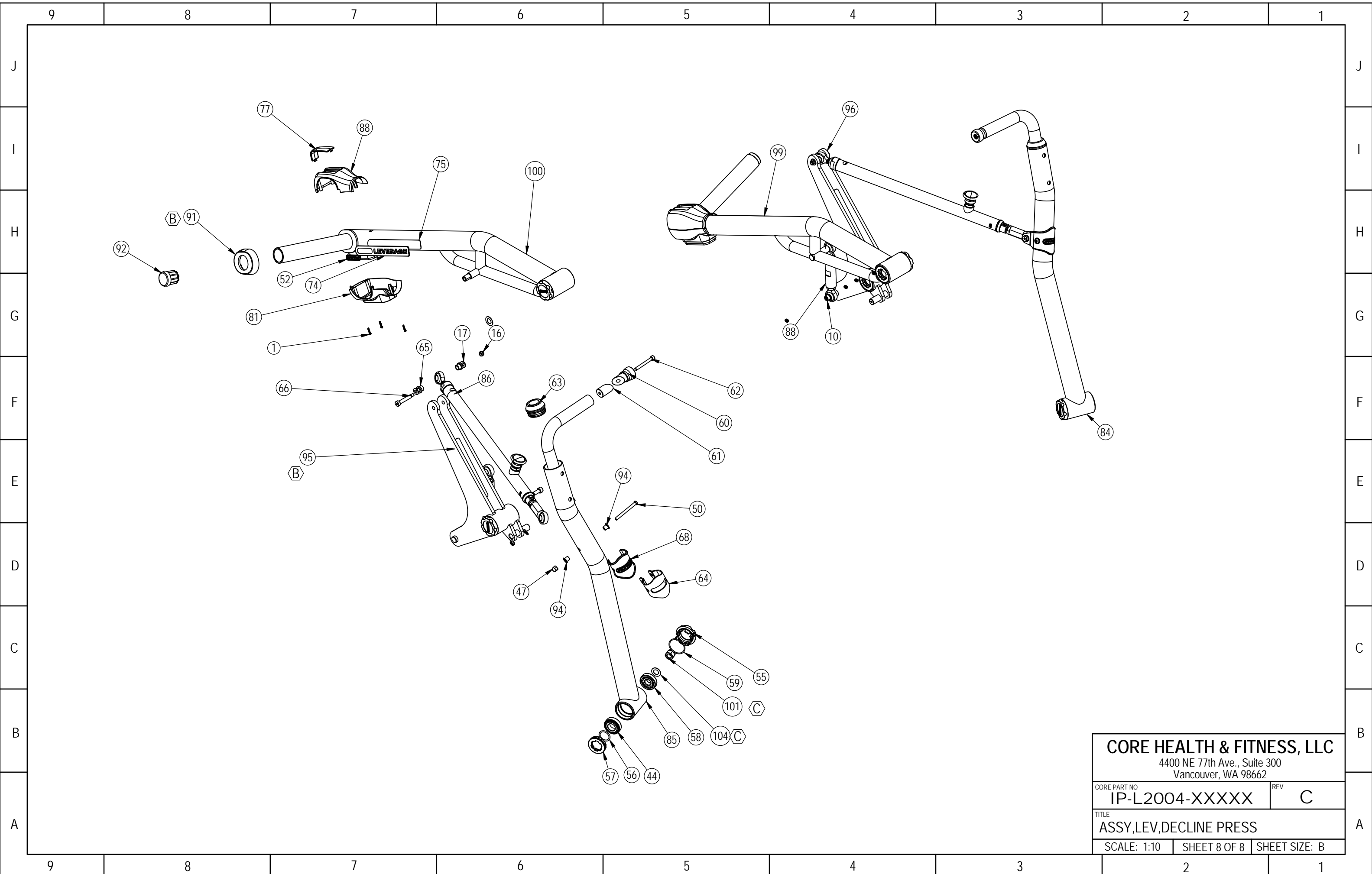


CORE HEALTH & FITNESS, LLC
 4400 NE 77th Ave., Suite 300
 Vancouver, WA 98662

CORE PART NO	REV
IP-L2004-XXXXX	C

TITLE
 ASSY,LEV,DECLINE PRESS

SCALE: 1:6	SHEET 7 OF 8	SHEET SIZE: B
------------	--------------	---------------



CORE HEALTH & FITNESS, LLC
 4400 NE 77th Ave., Suite 300
 Vancouver, WA 98662

CORE PART NO	REV
IP-L2004-XXXXX	C

TITLE
ASSY,LEV,DECLINE PRESS

SCALE: 1:10	SHEET 8 OF 8	SHEET SIZE: B
-------------	--------------	---------------